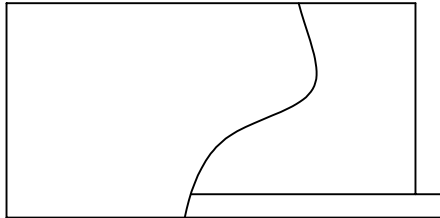
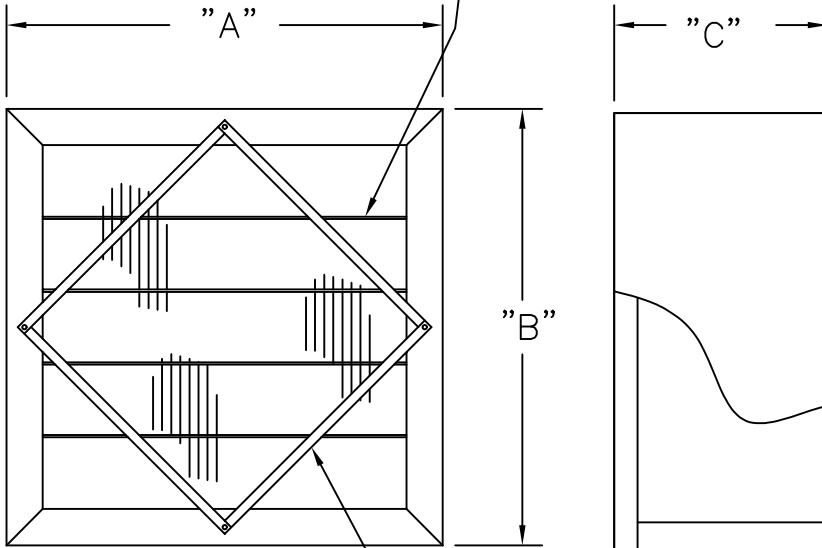


PRP-95 MODEL NUMBER	NOMINAL SIZE	ACTUAL DIMENSION			MEDIA AREA (SQ. FT.)	AIR FLOW CAPACITY (CFM)	INITIAL RES.
		"A"	"B"	"C"			
PRP95*-2406**	12 X 24 X 6	11 3/8"	23 3/8"	5 7/8"	14	600	1.0
PRP95*-0006**	20 X 20 X 6	19 3/8"	19 3/8"	5 7/8"	20	840	1.0
PRP95*-0406**	20 X 24 X 6	19 3/8"	23 3/8"	5 7/8"	23	995	1.0
PRP95*-4406**	24 X 24 X 6	23 3/8"	23 3/8"	5 7/8"	29	1200	1.0
PRP95*-2412**	12 X 24 X 12	11 3/8"	23 3/8"	11 1/2"	28	1000	.66
PRP95*-0012**	20 X 20 X 12	19 3/8"	19 3/8"	11 1/2"	39	1400	.66
PRP95*-0412**	20 X 24 X 12	19 3/8"	23 3/8"	11 1/2"	47	1660	.66
PRP95*-4412**	24 X 24 X 12	23 3/8"	23 3/8"	11 1/2"	58	2000	.66



MODEL NO. PRP95 _____ QTY: _____
 MODEL NO. PRP95 _____ QTY: _____
 MODEL NO. PRP95 _____ QTY: _____

PLEAT STABILIZERS
 METAL (CLASS 1) OR PLASTIC (CLASS 2)



* MEDIA MATERIAL:

G=GLASS MICRO-FIBER
 S=SYNTHETIC POLYPROPYLENE

** OPTIONS:

1=CLASS 1 (GLASS ONLY)
 =CLASS 2 (NO CODE)
 GU=GASKET UPSTREAM
 GD=GASKET DOWNSTREAM
 GS=GASKET SIDES
 H=HEADER

EXAMPLE OF MODEL NO. : PRP95G-4412GD

24 GA. ALUMINIZED CROSS SUPPORTS

NOTES:

- MEDIA-MICROFIBER GLASS OR 100% POLYPROPYLENE SYNTHETIC.
- FILTER TO BE RATED AT 90%-95% EFFICIENT IN ACCORDANCE WITH ASHRAE STANDARD 52.1.
- FRAME 24 GA. ALUMINIZED METAL
- PLEAT STABILIZERS - PLASTIC OR METAL CONSTRUCTION.
- CLASSIFIED AS CLASS 1 GLASS MEDIA ONLY. CLASS 2 IN EITHER GLASS OR SYNTHETIC MEDIA.



TITLE: FLANDERS RIGID AIR
 90-95%

 FLANDERS PRECISIONAIRE	DRAWING NO.	REV.
	RIGIDAIR90-95%	_____