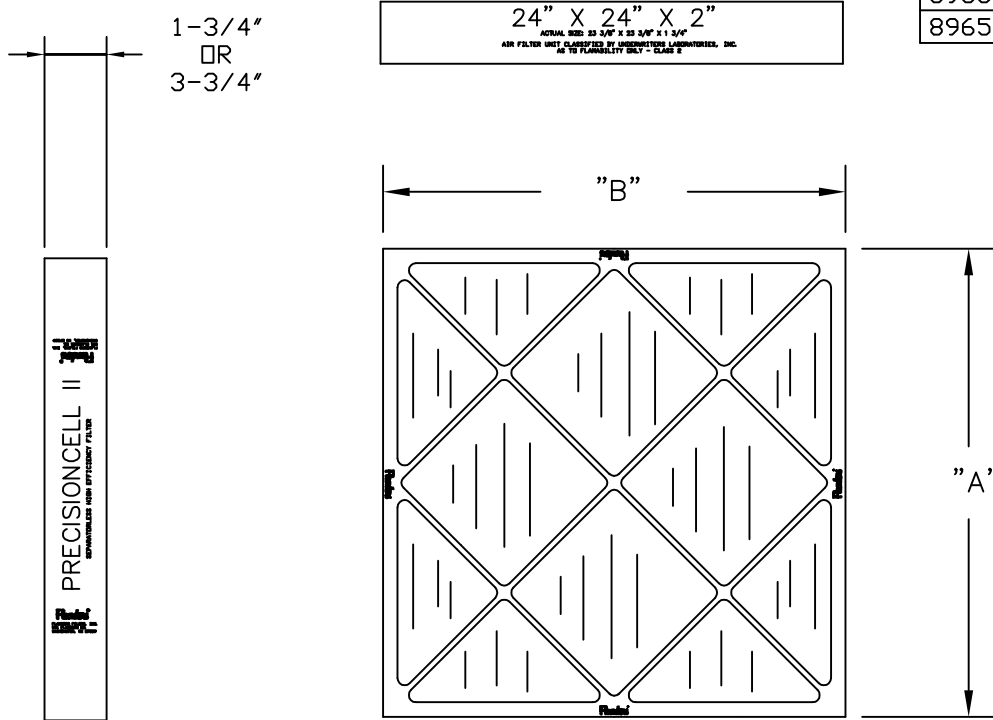


95% PCELL II MODEL NUMBER	NOMINAL SIZE	ACTUAL SIZE		MEDIA AREA (SQ. FT.)		PRESSURE DROP AND AIRFLOW @ 500 FPM		
		"A"	"B"	2"	4"	2"	4"	CFM
89655.0*2424	24 X 24 X *	23 3/8"	23 3/8"	53	114	1.2	0.75	2000
89655.0*1224	24 X 12 X *	23 3/8"	11 3/8"	26	55	1.2	0.75	1250
89655.0*2024	24 X 20 X *	23 3/8"	19 3/8"	44	94	1.2	0.75	1400
89655.0*1824	24 X 18 X *	23 3/8"	17 3/8"	39	85	1.2	0.75	1500
89655.0*2020	20 X 20 X *	19 3/8"	19 3/8"	40	78	1.2	0.75	1400
89655.0*2025	25 X 20 X *	24 3/8"	19 3/8"	46	98	1.2	0.75	1750
89655.0*1625	25 X 16 X *	24 3/8"	15 3/8"	29	62	1.2	0.75	1400
89655.0*1620	20 X 16 X *	19 3/8"	15 3/8"	36	78	1.2	0.75	1100



EXAMPLE OF MODEL NO. : 89655.022424

MODEL NO. 89655. \_\_\_\_\_ QTY: \_\_\_\_\_

MODEL NO. 89655. \_\_\_\_\_ QTY: \_\_\_\_\_

MODEL NO. 89655. \_\_\_\_\_ QTY: \_\_\_\_\_

MODEL NO. 89655. \_\_\_\_\_ QTY: \_\_\_\_\_

- NOTES:**
1. FILTER TO BE RATED AT 95% IN ACCORDANCE WITH ASHRAE STANDARD 52.1-92.
  2. FRAME-HIGH WET STRENGTH 28 POINT CLAY COATED BEVERAGE BOARD.
  3. MEDIA-WET LAID MICRO FIBERGLASS.
  4. ADHESIVE-WHITE GLUE UTILIZED TO ATTACH STRAPS TO MEDIA AND FRAME TO FRAME.
  5. CLASSIFIED BY UL AS TO FLAMMABILITY ONLY. CLASS 2



TITLE: FLANDERS PRECISIONCELL II  
90-95%

<b>Flanders</b> FLANDERS PRECISIONAIRE	DRAWING NO.	REV.
	PCELL II 95%	_____