

B1 HOLDING FRAME

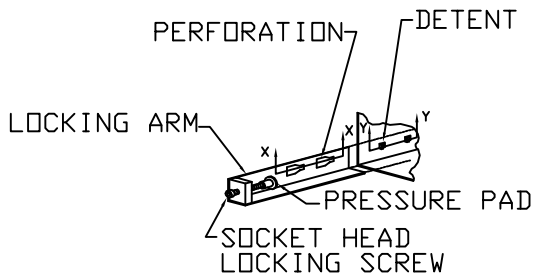
SAMPLE MODEL NO. B1(304) GGF

MATERIAL

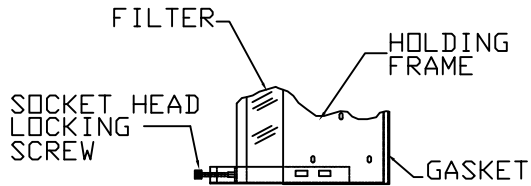
- GALVANIZED
- ALUMINUM
- 304 S/S
- 304L S/S
- 316 S/S
- 316L S/S

SPECIFICATIONS

1. 14GA. SHEET METAL CONSTRUCTION.
2. WELDED CONSTRUCTION.
3. HOLES ARE PRE-PUNCHED IN FRAME TO ASSIST INSTALLATION OF THESE FRAMES INTO FILTER BANKS OR DUCTS.
4. VISUAL IMPAIRMENTS TO WELDS TO BE SOAP BUBBLE TESTED.
5. UNIT TO BE CHECKED FOR FILTER FIT BEFORE LEAVING THE FACTORY.
6. RECOMMEND USING 3/16" DIA. RIVETS TO FASTEN FRAMES TOGETHER.

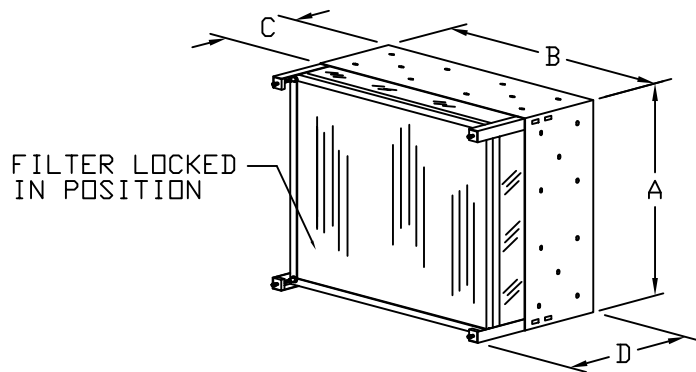


LOCKING ARM MECHANISM



SIDE VIEW
LOCKING ARM MECHANISM

SECTION Y-Y IS INSERTED INTO SECTION X-X



ISOMETRIC VIEW

DIMENSION DATA				
FILTER SIZE	A	B	C	D
CC-F	12-5/8"	12-5/8"	8"	13-1/2"
CG-F	12-5/8"	24-5/8"	8"	13-1/2"
GC-F	24-5/8"	12-5/8"	8"	13-1/2"
GG-F	24-5/8"	24-5/8"	8"	13-1/2"
GN-F	24-1/8"	31-5/8"	8"	13-1/2"
NG-F	31-5/8"	14"	8"	13-1/2"
YY-F	24"	24"	8"	13-1/2"

NOTE: OTHER SIZES AVAILABLE UPON REQUEST

TITLE:
B1 HOLDING FRAME

Flanders
FLANDERS FILTERS, INC.

DRAWING NO.

B1-F-01

SPACE
Filters Pty Ltd
1300 733 431