

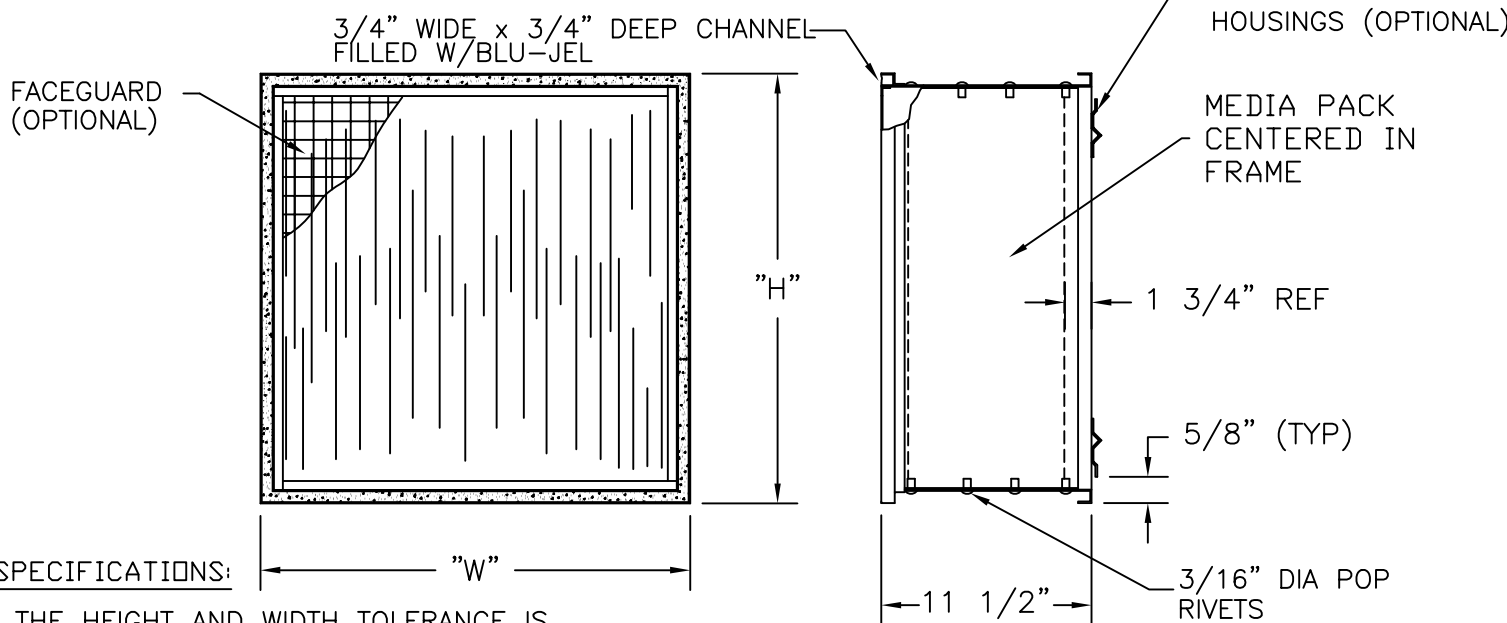
FRAME HARDWARE	T - FILTER EXTRACTION CLIPS	T -
FILTER MEDIUM	95% AT 0.3µm WATER RESISTANT GLASS	O O J -
PACK STYLE	F - 8" PUREFORM	□ -
	W - 11" PUREFORM	□ -
	C - ALUMINUM SEPARATORS	□ -
FRAME MATERIAL	02 - 16 GA T-409 S/S 03 - 16 GA T-304 S/S 05 - 0.063" ALUMINUM 08 - 16 GA GALVANEAL 17 - 24 GA GALVANIZED	□ □ -
FRAME STYLE	05 - 3/4" FLUID SEAL CHANNEL	O 5 -
PACK SEALANT	SOLID URETHANE FIRE RETARDANT	I U -
GASKET MATERIAL LOCATION	00 - NONE 51 - SILICONE BLU-JEL UPSTREAM 52 - SILICONE BLU-JEL DOWNSTREAM 52 - SILICONE BLU-JEL BOTH SIDES	□ □ -
FACEGUARD MATERIAL LOCATION	00 - NONE 11 - GALVANIZED UPSTREAM 12 - GALVANIZED DOWNSTREAM 13 - GALVANIZED BOTH SIDES 21 - STAINLESS STL. UPSTREAM 22 - STAINLESS STL. DOWNSTREAM 23 - STAINLESS STL. BOTH SIDES	□ □ -
SIZE CODE	GG-F - EXAMPLE SEE CHART	□ □ - F

SIZE DESIGNATORS &
RATED FLOW @ 1.0" W.G. (F PACKS)

SIZE CODE	FILTER SIZE		RATED FLOW(CFM)
	HEIGHT	WIDTH	
CC-F	12"	12"	205
YU-F	23-3/8"	11-3/8"	425
GC-F	24"	12"	455
GE-F	24"	18"	725
YY-F	23-3/8"	23-3/8"	945
GG-F	24"	24"	1000
GN-F	24"	30"	1275

SIZE DESIGNATORS &
RATED FLOW @ 1.0" W.G. (C AND W PACKS)

SIZE CODE	FILTER SIZE		RATED FLOW(CFM)
	HEIGHT	WIDTH	
CC-F	12"	12"	430
YU-F	23-3/8"	11-3/8"	865
GC-F	24"	12"	920
GE-F	24"	18"	1380
YY-F	23-3/8"	23-3/8"	1900
GG-F	24"	24"	2000
GN-F	24"	30"	2500



SPECIFICATIONS:

1. THE HEIGHT AND WIDTH TOLERANCE IS +0 / -1/8", SQ W/IN 1/8
2. THE DEPTH TOLERANCE IS +1/16" / -0
3. THE FILTER EFFICIENCY IS 95% AT 0.3 m AT THE RATED FLOW
4. THE FILTER RESISTANCE IS 1.0" W.G. MAXIMUM AT THE RATED FLOW
5. THE MAXIMUM TEMPERATURE EXPOSURE IS 250° F
6. THE MAXIMUM R.H. IS 100%
7. CLASSIFIED BY UNDERWRITERS LABORATORIES TO FLAMMABILITY ONLY UL 900 CLASS 1.